



enjoy the view



# *Panorama*

Collaborative robot for minimally invasive surgery

# Robotically controlled camera holder

---

Offering the benefits of robotic precision and control for all laparoscopic surgery, while delivering improved patient outcomes by mastering your vision in a cost-effective way.



## Indicator Unit

Indicates the selected direction for camera movement.



## Headset

Selects the direction in which the surgeon wants the camera to move.



## Pedal

Activates movement.



# Applicable to a wide range of surgeries

---



**General**



**Gynaecology**



**Urology**



**Thoracic**

# Real benefits in the operating room

---

3

## Reducing surgical TIME

By up to 20%

4

## Optimising ERGONOMICS

For Surgeon and OR team.

2

## Increasing surgeon CONTROL

Direct control of the scope

1

## Mastering surgeon VISION

Delivers a stable and tremor free image.



5

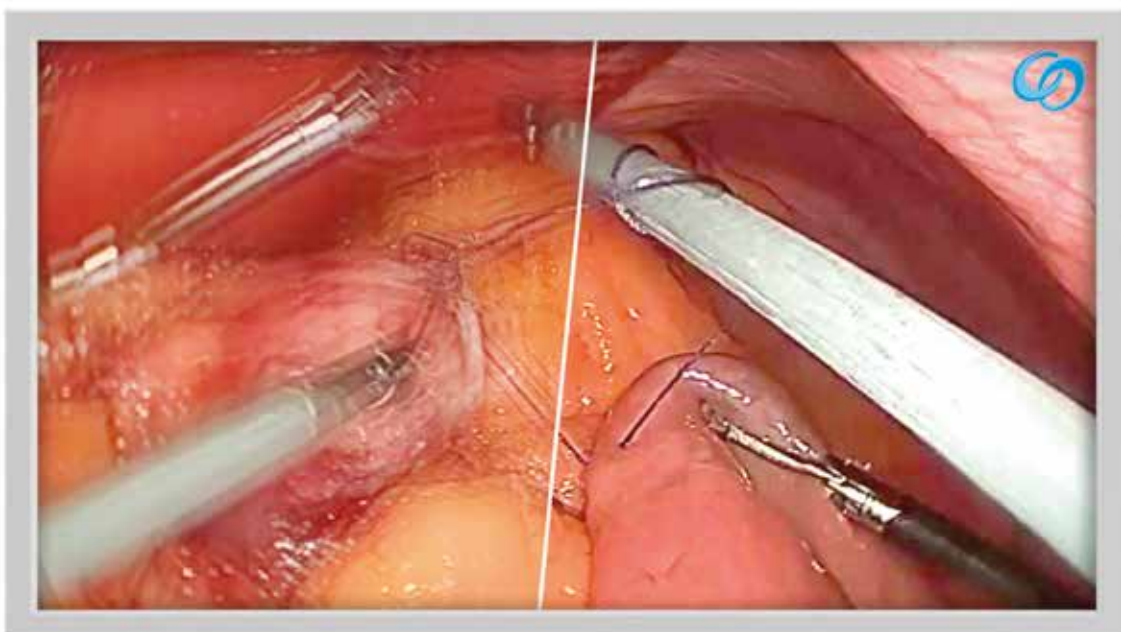
## Increasing SAFETY for team and patient

Reduces risk of cross infection & permits social distancing.

As well as improved outcomes, a short learning curve and being cost effective.

# FreeHand delivers a stable tremor free image

---



## Improved range of vision



## Parts & references

DESCRIPTION	PART NUMBER
FreeHand <i>Panorama</i>	STDS-X-0180
Sterile Patient Pack (Contains 10x sterile zoom modules + 12x sterile sleeves)	STDS-X-0110
Mobile storage cart for O.R.	STDS-X-0027

For more information please contact :  
[info@freehandsurgeon.com](mailto:info@freehandsurgeon.com)



[www.freehandsurgeon.com](http://www.freehandsurgeon.com)

Freehand 2010 Ltd | Unit-2 Weyvern Park | Portsmouth Road | Peasmarsh | Guildford  
GU3 1NA | United Kingdom | Tel: +44 (0) 1483 408720 | Fax: +44 (0) 1483 452690



enjoy the view



*Vista*

Collaborative robot for minimally invasive surgery

# Robotically controlled camera holder

---

Offering the benefits of robotic precision and control for all laparoscopic surgery, while delivering improved patient outcomes by mastering your vision in a cost-effective way.



## Indicator Unit

Indicates the selected direction for camera movement.



## Headset

Selects the direction in which the surgeon wants the camera to move.



## Pedal

Activates movement.



# Applicable to a wide range of surgeries

---



**General**



**Gynaecology**



**Urology**



**Thoracic**



# Real benefits in the operating room

---

3

## Reducing surgical TIME

By up to 20%

4

## Optimising ERGONOMICS

For Surgeon and OR team.

2

## Increasing surgeon CONTROL

Direct control of the scope

1

## Mastering surgeon VISION

Delivers a stable and tremor free image.



5

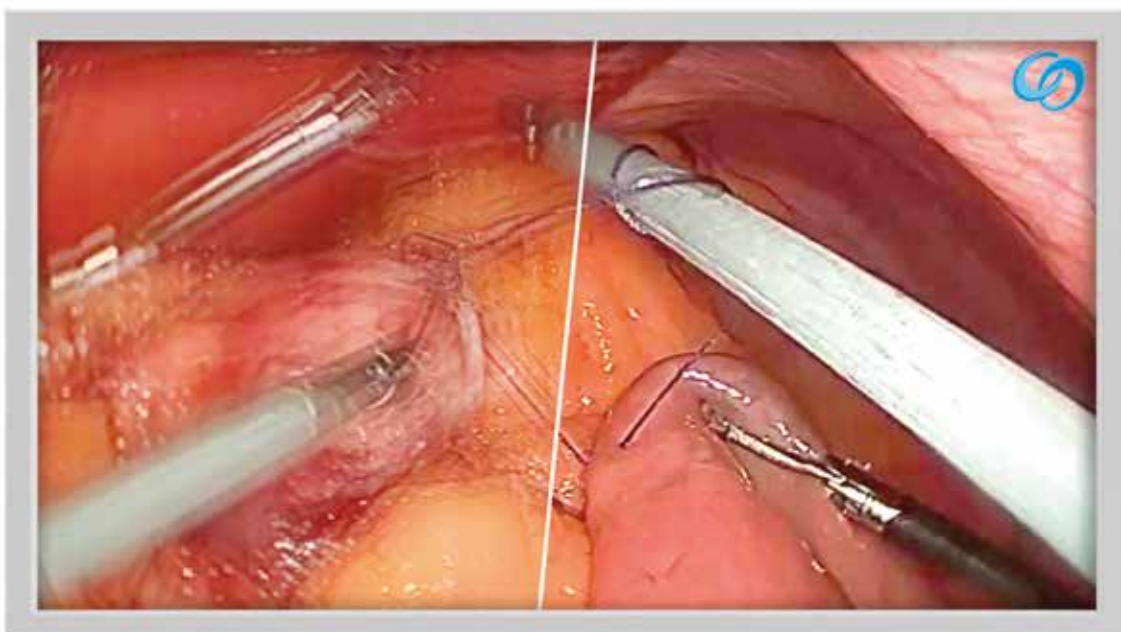
## Increasing SAFETY for team and patient

Reduces risk of cross infection & permits social distancing.

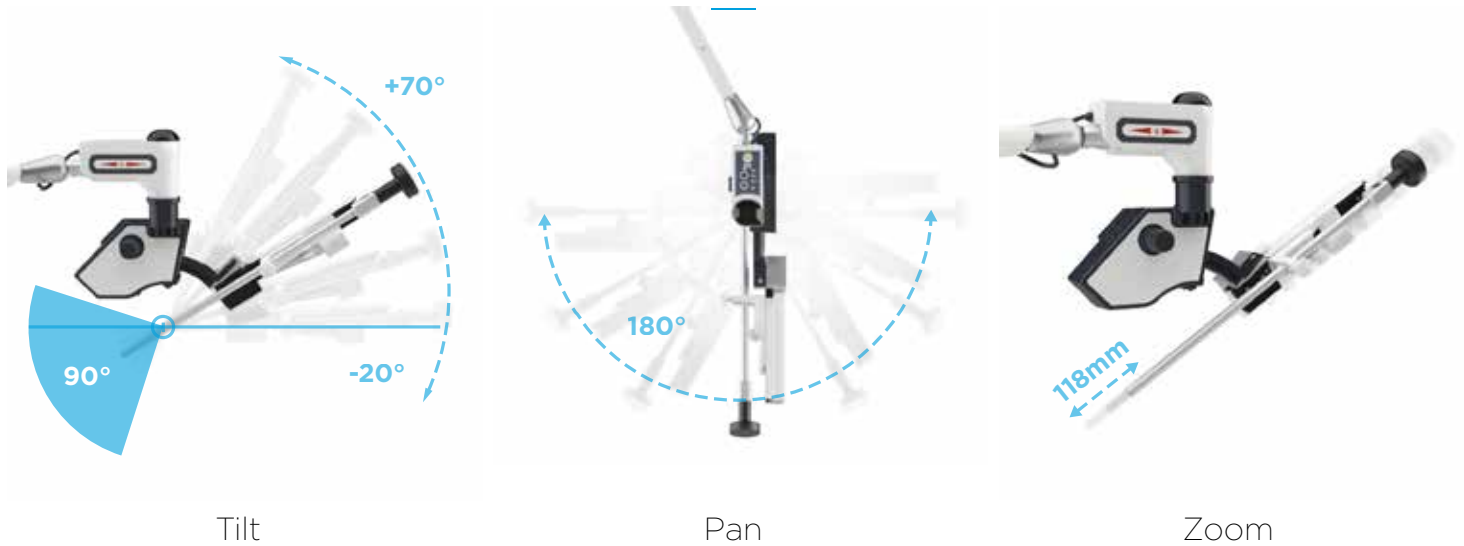
As well as improved outcomes, a short learning curve and being cost effective.

# FreeHand delivers a stable tremor free image

---



## Improved range of vision



## Parts & references

DESCRIPTION	PART NUMBER
FreeHand <i>Vista</i>	STDS-X-0113
Sterile Patient Pack (Contains 10x sterile zoom modules + 12x sterile sleeves)	STDS-X-0110
Mobile storage cart for O.R.	STDS-X-0027

For more information please contact :  
[info@freehandsurgeon.com](mailto:info@freehandsurgeon.com)



www.freehandsurgeon.com

Freehand 2010 Ltd | Unit-2 Weyvern Park | Portsmouth Road | Peasmarsh | Guildford  
GU3 1NA | United Kingdom | Tel: +44 (0) 1483 408720 | Fax: +44 (0) 1483 452690